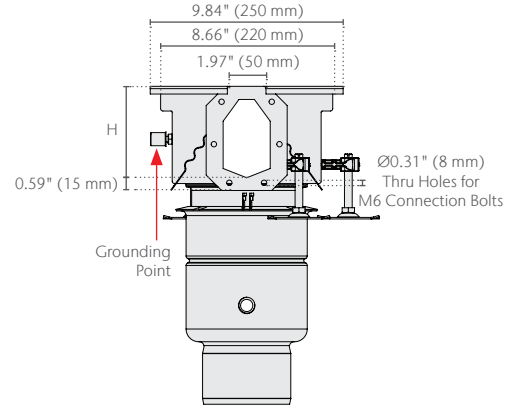
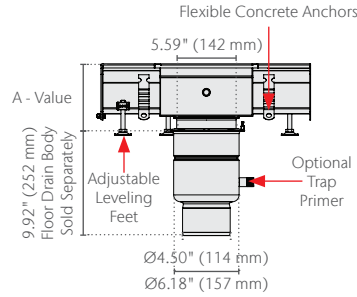
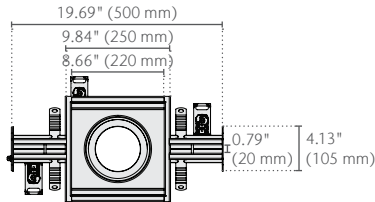


ACO Building Drainage | Stainless

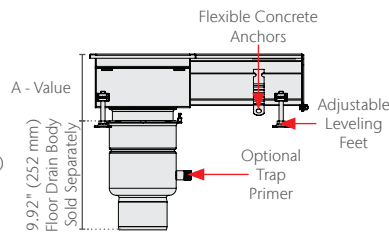
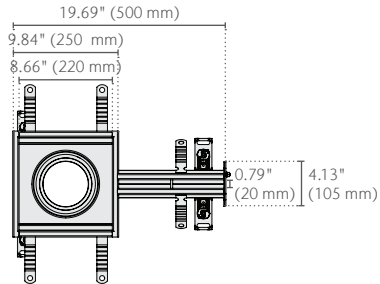
SlotDrain 20 - 10" Outlet Channels



Center Outlet Channels



End Outlet Channels



Parts	Invert Depths in (mm)	Material
	2.76 (70)	A = 3.46 - 4.37 (88 - 111)
	2.95 (75)	A = 3.66 - 4.57 (93 - 116)
	3.15 (80)	A = 3.86 - 4.76 (98 - 121)
A- Table	3.54 (90)	A = 4.25 - 5.16 (108 - 131)
	3.94 (100)	A = 4.65 - 5.55 (118 - 141)
	4.33 (110)	A = 5.04 - 5.94 (128 - 151)
	4.72 (120)	A = 5.43 - 6.34 (138 - 161)*

*Most Common
Using mechanical clamping flange minimum installation value increase by 0.31" (8 mm)

Parts	Part No.	Material	Height (H) in(mm)	Weight lbs
Center Outlet	414215	AISI 304	2.76 (70)	7.1
	414216	AISI 304	2.95 (75)	7.3
	414217	AISI 304	3.15 (80)	7.5
	414218	AISI 304	3.54 (90)	7.7
	414219	AISI 304	3.94 (100)	8.2
	414220	AISI 304	4.33 (110)	8.6
	414221	AISI 304	4.72 (120)	9.0
	414222	AISI 316L	2.76 (70)	7.1
	414223	AISI 316L	2.95 (75)	7.3
	414224	AISI 316L	3.15 (80)	7.5
414225	AISI 316L	3.54 (90)	7.7	
414226	AISI 316L	3.94 (100)	8.2	
414227	AISI 316L	4.33 (110)	8.6	
414228	AISI 316L	4.72 (120)	9.0	

Parts	Part No.	Material	Height (H) in(mm)	Weight lbs
End Outlet	414201	AISI 304	2.76 (70)	7.3
	414202	AISI 304	2.95 (75)	7.5
	414203	AISI 304	3.15 (80)	7.7
	414204	AISI 304	3.54 (90)	7.9
	414205	AISI 304	3.94 (100)	8.6
	414206	AISI 304	4.33 (110)	9.0
	414207	AISI 304	4.72 (120)	9.3
	414208	AISI 316L	2.76 (70)	7.3
	414209	AISI 316L	2.95 (75)	7.5
	414210	AISI 316L	3.15 (80)	7.7
	414211	AISI 316L	3.54 (90)	7.9
	414212	AISI 316L	3.94 (100)	8.6
	414213	AISI 316L	4.33 (110)	9.0
	414214	AISI 316L	4.72 (120)	9.3

Specification Summary

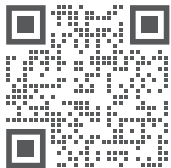
ACO SlotDrain 20 center and end outlets. Overall height varies, see tables. Used with ACO 10" floor drains. Made from 16 ga (1.5 mm) AISI 304 or AISI 316L, pickle passivated finish. All channels provided with NBR seal and connection bolts on one side. Multiple grate options available.

ACO recommends checking local plumbing codes prior to installation.

ACO, Inc.

© January 2026 ACO, Inc.

All reasonable care has been taken in compiling the information in this document. All recommendations and suggestions on the use of ACO products are made without guarantee since the conditions of use are beyond the control of the company. It is the customer's responsibility to ensure that each product is fit for its intended purpose and that the actual conditions of use are suitable. ACO, Inc. reserves the right to change products and specifications without notice.



info@acousa.com
www.acousa.com

